



SERVING THE FOOD INDUSTRY SINCE 1951

Refrigerated Floor Showcases with Curved Glass

ITEM: 48351
MODEL: RS-CN-0460

48352
RS-CN-0660

46471
RS-CN-0860



Attractively display food merchandise and increase impulse sale.

Omcan's refrigerated floor model showcases curved glass is perfect for restaurants, desserts, sandwiches, and cafe shops. Features a front hinge door access for easy cleaning purposes only. It has an attractive smooth finish, curved glass, and stainless steel body. Comes with a digital temperature controller and automatic defrost system.

FEATURES:

• **Adjustable Shelves**

Featuring two adjustable, chrome-plated, rust-resistant shelves, this cabinet is perfect for showcasing a diverse range of items including desserts, pastries, cakes, beverages, yogurts, and fruit cups.

• **Superior Construction**

Crafted from high-quality stainless steel and double-pane tempered glass, this durable cooling cabinet is built to last and will serve your establishment reliably for years to come.

• **Dual Door Access - Front Hinge & Back Sliding Doors**

For convenient access to providing access to the items display and front hinge door easy cleaning

• **Powerful, environmentally safe refrigeration system**

Uses R290 refrigerant to keep your ingredients and fully prepared foods at safe frozen temperatures. The compressor is bottom mounted for energy efficiency.



Telephone: 1-800-465-0234

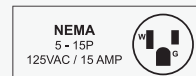
Fax: (905) 607-0234

Email: sales@omcan.com

Website: www.omcan.com



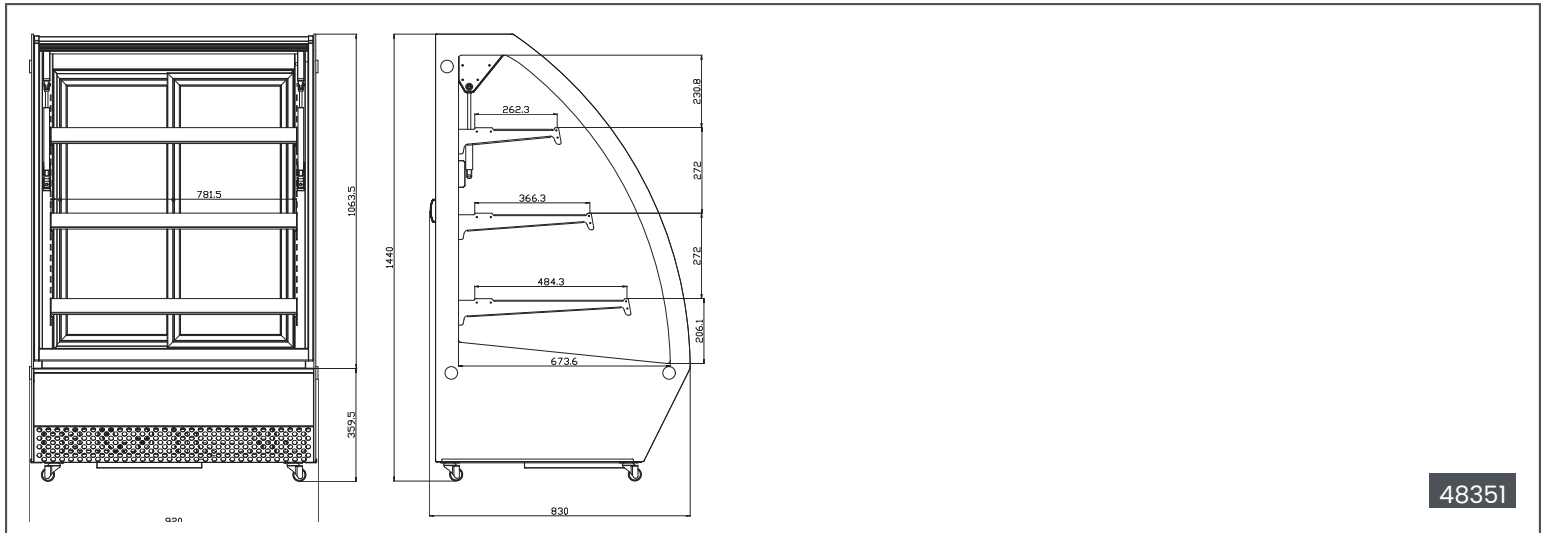
Authorized Dealer



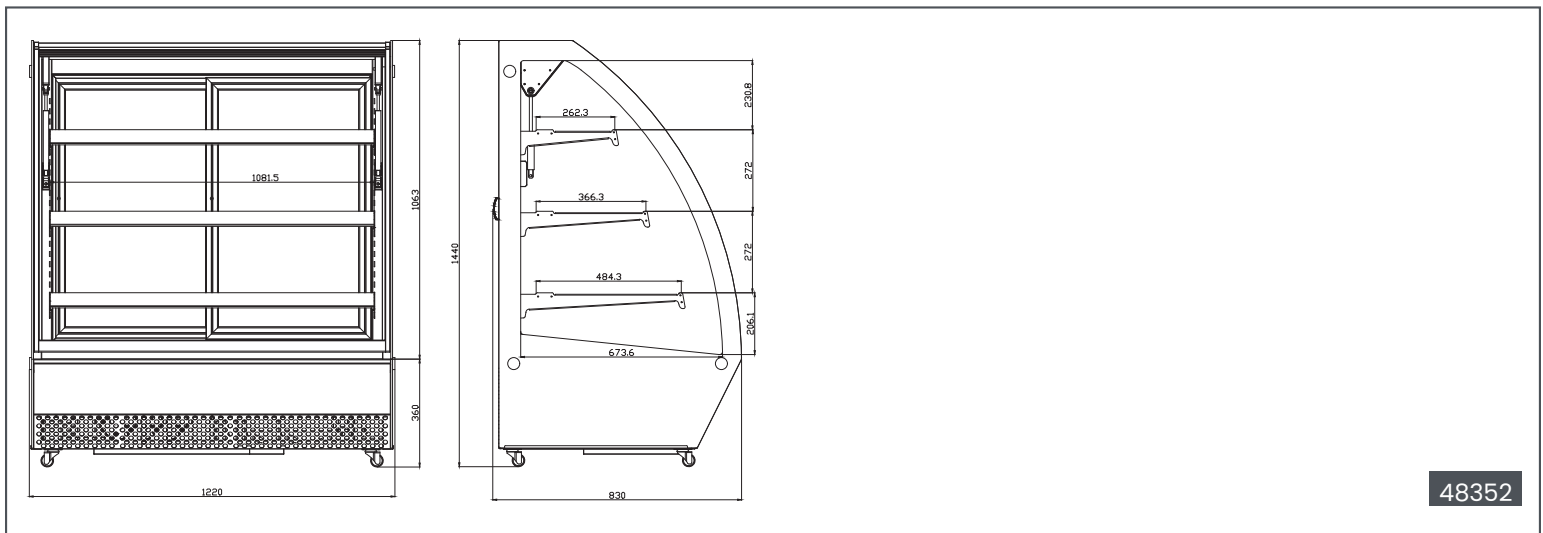
TECHNICAL SPECIFICATION

Features	36" wide with 16.49 cu.ft. (467L) Capacity	48" wide with 22.35 cu.ft. (633L) Capacity	60" wide with 28 cu.ft. (799L) Capacity
Item	48351	48352	46471
Model	RS-CN-0460	RS-CN-0660	RS-CN-0860
Capacity	16.49 cu.ft. (467 L)	22.35 cu.ft. (633 L)	28 cu.ft. (799L)
Number of Doors	2 (1 Front Hinge & 1 Back Sliding)		
Number of Shelves	3		
Shelf Capacity	55lb. (25 kg.)		
Shelf Size	30.6" x 10.3" (778 x 262 mm) 30.6" x 14.4" (778 x 366 mm) 30.6" x 19" (778 x 484 mm)	42.4" x 10.3" (1078 x 262 mm) 42.4" x 14.4" (1078 x 366 mm) 42.4" x 19" (1078 x 484 mm)	54" x 10.3" (1374 x 262 mm) 54" x 14.4" 1374 x 366 mm) 54" x 19" (1374 x 484 mm)
Shelf Material	430 Stainless Steel + Aluminum		
Interior Material	ABS + Glass		
Exterior Material	430 Stainless Steel + Glass		
Number of Casters	Yes (4)		
Power	415 W	650W	680W
Lamp Power	10W		
Amps	6.4 A	7.3 A	6.2 A
Electrical	110V / 60Hz / 1Ph		
Temperature Controller	Digital		
Temperature Range	12 to 0°C (54 to 32°F)		
Refrigerant	R290A		
Injection	150g		
Type Of Climate	4		
Insulation Material	C5H10		
Defrosting	Automatic		
Cooling System	Ventilated		
Interior Dimensions (WDH)	33.27" x 26.5" x 40.75" (845 x 673 x 1035mm)	45" x 26.5" x 40.75" (1145 x 673 x 1035 mm)	55" x 26.5" x 40.75" (1397 x 673 x 1035 mm)
Net Weight	366 lb. (166 kg.)	454.2 lb. (206 kg.)	518 lb. (235 kg.)
Net Dimensions (WDH)	36.2" x 32.6" x 56.7" (920 x 828 x 1440mm)	48" x 32.6" x 56.7" (1220 x 828 x 1440mm)	59.8" x 32.6" x 56.7" (1519 x 828 x 1440 mm)
Gross Weight	441 lb. (200 kg.)	540 lb. (245 kg.)	617 lb. (280 kg.)
Gross Dimensions (WDH)	39" x 35" x 60" (991 x 889 x 1524 mm)	50" x 35" x 60" (1270 x 889 x 1524 mm)	66" x 36" x 70" (1676 x 914 x 1778 mm)
Plug Type	NEMA 5-15P		

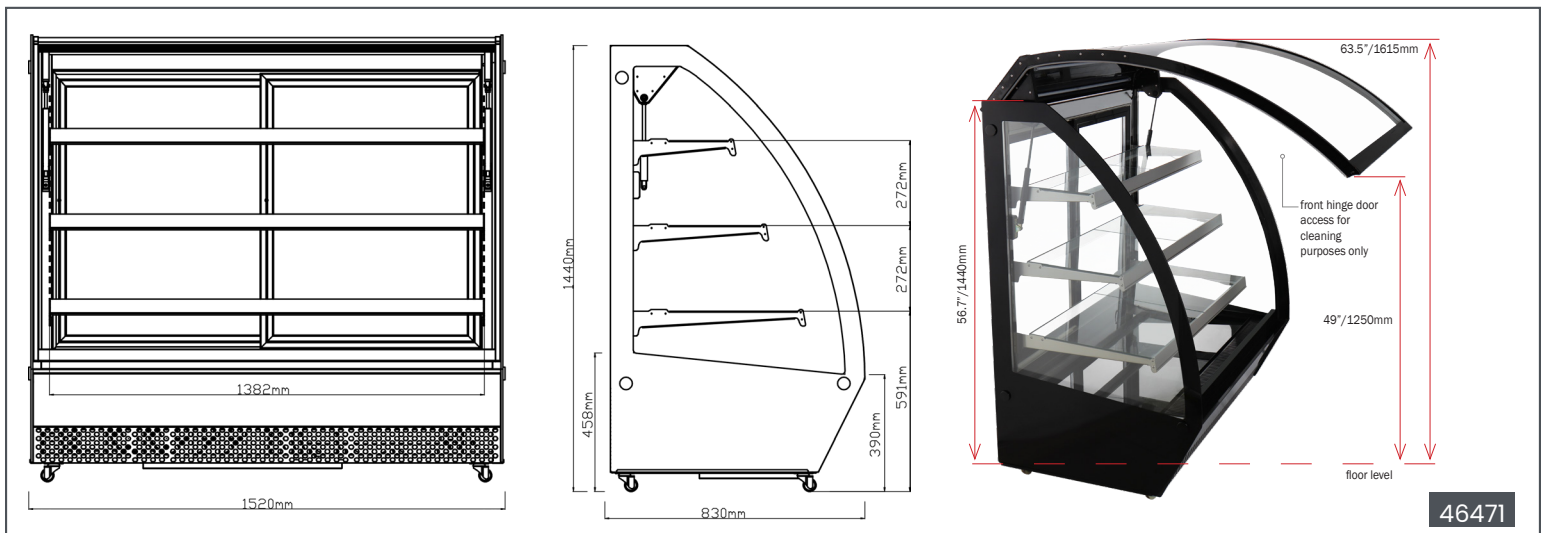
TECHNICAL DRAWING



48351



48352



46471